

LONGSPAN RACKING SYSTEMS

2022

Extract from general catalog

Chapter B

ssi-schaefer.com



SSI SCHÄFER

Longspan racking systems



Storage and order picking are becoming increasingly complex due to the growing diversity of products.

Wherever the very high load capacities of a pallet racking are not required, SSI SCHAEFER's longspan racking systems easily handle your individual needs for optimized storage technology while creating extensive warehousing space with only a small footprint. In particular, they simplify the storage of bulky goods.

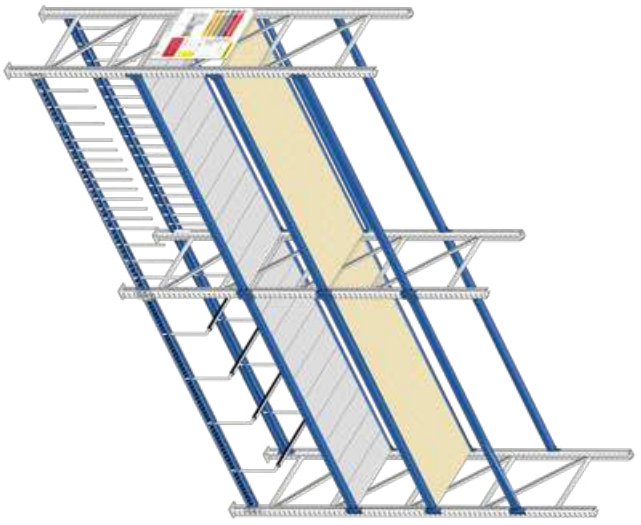
i Information regarding **inspection requirements**
for **rack systems**

Chapter **F**, page **F4**

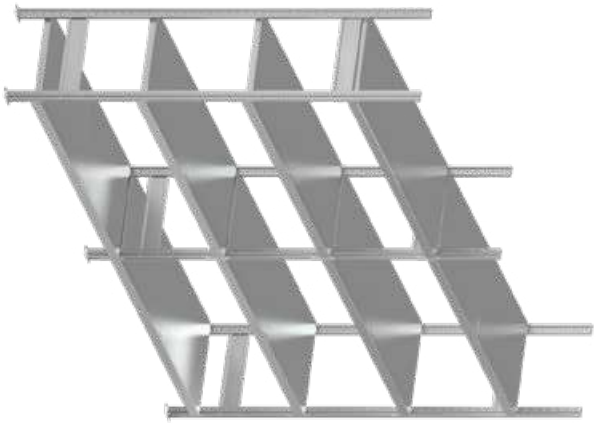




WR 600 longspan racking page B8



WR 3000 longspan racking page B4



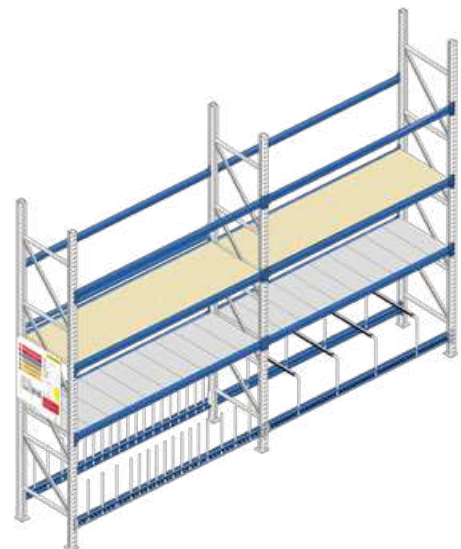


Overview of longspan racking systems

| | WR 3000 longspan racking | WR 600 longspan racking |
|-----------------------|--|--|
| Areas of use | Storage of large, light and medium weight goods. | Storage of large and heavy goods. |
| Advantages | <ul style="list-style-type: none"> ▶ Easy to assemble ▶ Flexibility due to quick adjustment ▶ Expandable with components from the R 3000 modular shelving | <ul style="list-style-type: none"> ▶ Extensive compartment equipment ▶ Covers diverse areas of application ▶ Expandable at any time |
| System | ▶ Frame system with plug-in design for rapid assembly | ▶ Frame system with plug-in design for rapid assembly |
| Design | ▶ Frame system, 4 bay widths, 4 rack depths, various construction heights | ▶ Frame system, 4 bay widths, 4 rack depths, various construction heights |
| Load-bearing capacity | ▶ Up to max. 2,000 kg per rack bay | ▶ Up to max. 3,500 kg per upright frame |
| System layout | ▶ 53 mm adjustment steps | ▶ 50 mm adjustment steps |
| Frame surface | ▶ Galvanized | ▶ Galvanized |
| Beam surface | ▶ Galvanized | ▶ Galvanized/painted with RAL 5010 |



B4



B8

from pages

WR 3000 upright frame and accessories

Upright frame

The upright profiles are made from cold-rolled, high-strength, galvanized steel and are connected by horizontal steel braces to create a stable frame.



Frame height 1,960 mm

| Item | Frame depth (mm) | Order no. |
|--------------|------------------|-----------|
| RR 34319-V-M | 400 | 6671806 |
| RR 35319-V-M | 500 | 6671807 |
| RR 36319-V-M | 600 | 6671808 |
| RR 38319-V-M | 800 | 6671809 |

Frame height 2,278 mm

| Item | Frame depth (mm) | Order no. |
|--------------|------------------|-----------|
| RR 34322-V-M | 400 | 6671816 |
| RR 35322-V-M | 500 | 6671817 |
| RR 36322-V-M | 600 | 6671818 |
| RR 38322-V-M | 800 | 6671819 |

Frame height 2,490 mm

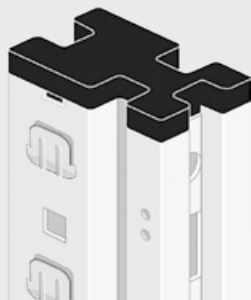
| Item | Frame depth (mm) | Order no. |
|--------------|------------------|-----------|
| RR 34325-V-M | 400 | 6671821 |
| RR 35325-V-M | 500 | 6671822 |
| RR 36325-V-M | 600 | 6671823 |
| RR 38325-V-M | 800 | 6671824 |

Frame height 2,967 mm

| Item | Frame depth (mm) | Order no. |
|--------------|------------------|-----------|
| RR 34530-V-M | 400 | 6671841 |
| RR 35530-V-M | 500 | 6671842 |
| RR 36530-V-M | 600 | 6671843 |
| RR 38530-V-M | 800 | 6671844 |

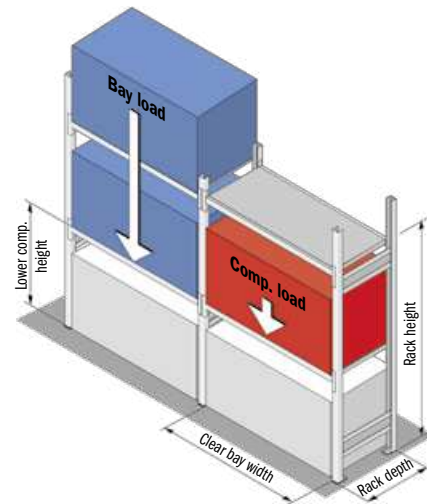
End cap

High-quality black plastic. Attached to the rack frames as an end piece.



| Item | Order no. |
|---------|-----------|
| AK 3000 | 147130 |

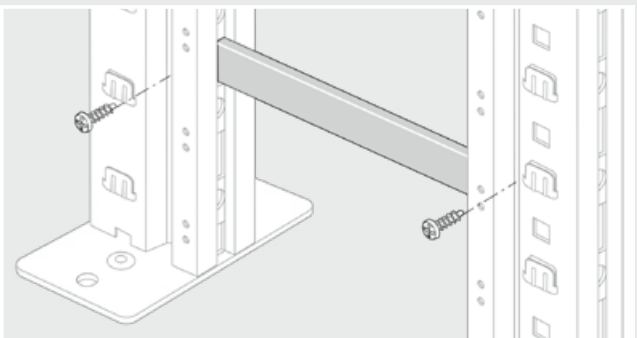
- **High load capacity**
of up to 2,000 kg per rack bay and up to 400 kg per shelf compartment
- **Large shelf compartment**
for large-volume goods, consisting of rack frame, longitudinal beams and shelves
- **Expansion system**
3 bay widths, 4 rack depths, various construction heights
- **System hole pattern**
with adjustment spacing 53 : 53 mm
- **Extensive accessories**
compatible with R 3000 modular shelvings (chapter A)



Load capacity of the rack bay

| Rack height | 1,960 mm | 2,278 mm | 2,490 mm | 2,967 mm |
|------------------|--------------------------|----------|----------|----------|
| Bay width | Bay load capacity | | | |
| 1,988 mm | 1,600 kg | 1,600 kg | 1,600 kg | 2,000 kg |
| 2,276 mm | 1,500 kg | 1,500 kg | 1,500 kg | 2,000 kg |
| 2,564 mm | 1,250 kg | 1,250 kg | 1,250 kg | 1,800 kg |

Condition: max. height of lower compartment 200 mm, max. compartment height 600 mm



Frame connector

Sheet steel, galvanized. For connecting 2 rack bays back-to-back in a row. Incl. fixing kit.

| Item | Frame distance (mm) | Order no. |
|---------|---------------------|-----------|
| RV 3030 | 30 | 147090 |
| RV 3050 | 50 | 147100 |
| RV 3100 | 100 | 147110 |
| RV 3300 | 300 | 147120 |

Order no. = on stock



WR 3000 accessories



Shelves

Sheet steel, galvanized. The load values apply only in combination with longitudinal beams.

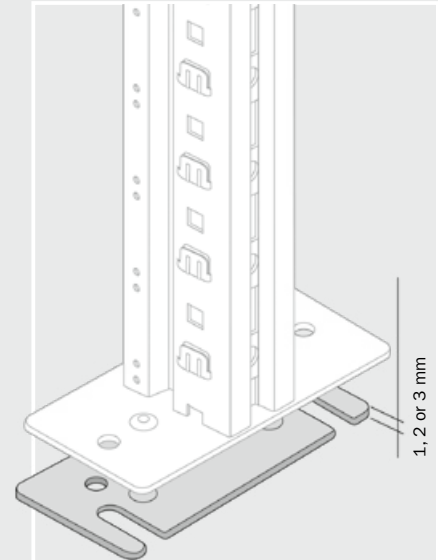
| Item | Frame depth (mm) | Clear bay width (mm) | Max. load per shelf (kg) | Order no. |
|-------------|------------------|----------------------|--------------------------|-----------|
| ZB 341010 V | 400 | 994 | 200 | 145510 |
| ZB 341315 V | | 1,282 | 200 | 145540 |
| ZB 351010 V | 500 | 994 | 200 | 145520 |
| ZB 351315 V | | 1,282 | 200 | 145550 |
| ZB 361010 V | 600 | 994 | 200 | 145530 |
| ZB 331315 V | | 1,282 | 200 | 145560 |
| ZB 381020 V | 800 | 994 | 200 | 145600 |
| ZB 381325 V | | 1,282 | 200 | 145630 |



Longitudinal beams

Sheet steel, galvanized.

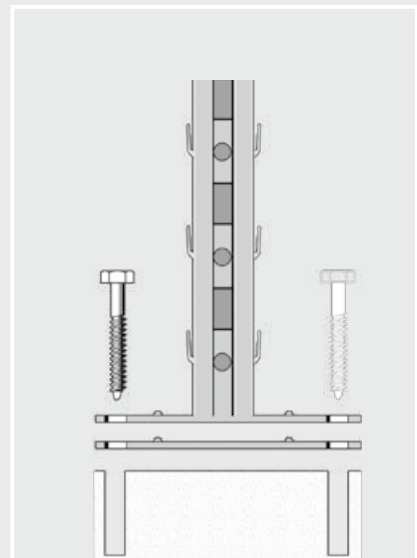
| Item | Clear bay width (mm) | Max. load per compartment (kg) | Order no. |
|---------------|----------------------|--------------------------------|-----------|
| WR-LTR 3206 V | 1,994 | 400 | 6670756 |
| WR-LTR 3236 V | 2,282 | 400 | 6670757 |
| WR-LTR 3256 V | 2,570 | 400 | 6670758 |



Shim plates

Sheet steel, galvanized. To compensate for slightly uneven ground surfaces.

| Item | Thickness (mm) | Order no. |
|----------|----------------|-----------|
| UP3001-V | 1 | 6671710 |
| UP3002-V | 2 | 6671711 |
| UP3003-V | 3 | 6671712 |



Floor fixing

Screw anchor for anchoring the racks to the floor.

| Item | Order no. |
|------------|-----------|
| HUS3-H6x60 | 6671728 |

WR 3000 individual racking



Complete WR 3000 rack bays with 3 compartment levels 1,960 mm high (Starter bays)

2 pre-assembled frames, 6 longitudinal beams, 6 shelves, anchor bolt, top caps and identification plate.

| Item | Usable depth (mm) | Clear bay width (mm) | Max. load per bay (kg) | Order no. |
|---------------|-------------------|----------------------|------------------------|-----------|
| WR 34319203 G | 400 | 1,994 | 1,600 | 6670683 |
| WR 34319233 G | | 2,282 | 1,500 | 6670699 |
| WR 34319253 G | | 2,570 | 1,250 | 6670715 |
| WR 35319203 G | 500 | 1,994 | 1,600 | 6670684 |
| WR 35319233 G | | 2,282 | 1,500 | 6670700 |
| WR 35319253 G | | 2,570 | 1,250 | 6670716 |
| WR 36319203 G | 600 | 1,994 | 1,600 | 6670685 |
| WR 36319233 G | | 2,282 | 1,500 | 6670701 |
| WR 36319253 G | | 2,570 | 1,250 | 6670717 |
| WR 38319203 G | 800 | 1,994 | 1,600 | 6670686 |
| WR 38319233 G | | 2,282 | 1,500 | 6670702 |
| WR 38319253 G | | 2,570 | 1,250 | 6670718 |

Expansion bays

1 pre-assembled frame, 6 longitudinal beams, 6 shelves, anchor bolt and top caps.

| Item | Usable depth (mm) | Clear bay width (mm) | Max. load per bay (kg) | Order no. |
|---------------|-------------------|----------------------|------------------------|-----------|
| WR 34319203 A | 400 | 1,994 | 1,600 | 6670731 |
| WR 34319233 A | | 2,282 | 1,500 | 6670747 |
| WR 34319253 A | | 2,570 | 1,250 | 6670832 |
| WR 35319203 A | 500 | 1,994 | 1,600 | 6670732 |
| WR 35319233 A | | 2,282 | 1,500 | 6670748 |
| WR 35319253 A | | 2,570 | 1,250 | 6670833 |
| WR 36319203 A | 600 | 1,994 | 1,600 | 6670733 |
| WR 36319233 A | | 2,282 | 1,500 | 6670749 |
| WR 36319253 A | | 2,570 | 1,250 | 6670834 |
| WR 38319203 A | 800 | 1,994 | 1,600 | 6670734 |
| WR 38319233 A | | 2,282 | 1,500 | 6670750 |
| WR 38319253 A | | 2,570 | 1,250 | 6670835 |

Additional compartment levels

2 longitudinal beams, 2 shelves.

| Item | Usable depth (mm) | Clear bay width (mm) | Max. load per comp. (kg) | Order no. |
|------------|-------------------|----------------------|--------------------------|-----------|
| WR-ZE 3420 | 400 | 1,994 | 400 | 6670798 |
| WR-ZE 3423 | | 2,282 | 400 | 6670802 |
| WR-ZE 3425 | | 2,570 | 400 | 6670806 |
| WR-ZE 3520 | 500 | 1,994 | 400 | 6670799 |
| WR-ZE 3523 | | 2,282 | 400 | 6670803 |
| WR-ZE 3525 | | 2,570 | 400 | 6670807 |
| WR-ZE 3620 | 600 | 1,994 | 400 | 6670800 |
| WR-ZE 3623 | | 2,282 | 400 | 6670804 |
| WR-ZE 3625 | | 2,570 | 400 | 6670808 |
| WR-ZE 3820 | 800 | 1,994 | 400 | 6670801 |
| WR-ZE 3823 | | 2,282 | 400 | 6670805 |
| WR-ZE 3825 | | 2,570 | 400 | 6670809 |



Complete WR 3000 rack bays with 3 compartment levels 2,278 mm high (Starter bays)

2 pre-assembled frames, 6 longitudinal beams, 6 shelves, anchor bolt, top caps and identification plate.

| Item | Usable depth (mm) | Clear bay width (mm) | Max. load per bay (kg) | Order no. |
|---------------|-------------------|----------------------|------------------------|-----------|
| WR 34322203 G | 400 | 1,994 | 1,600 | 6670687 |
| WR 34322233 G | | 2,282 | 1,500 | 6670703 |
| WR 34322253 G | | 2,570 | 1,250 | 6670719 |
| WR 35322203 G | 500 | 1,994 | 1,600 | 6670688 |
| WR 35322233 G | | 2,282 | 1,500 | 6670704 |
| WR 35322253 G | | 2,570 | 1,250 | 6670720 |
| WR 36322203 G | 600 | 1,994 | 1,600 | 6670689 |
| WR 36322233 G | | 2,282 | 1,500 | 6670705 |
| WR 36322253 G | | 2,570 | 1,250 | 6670721 |
| WR 38322203 G | 800 | 1,994 | 1,600 | 6670690 |
| WR 38322233 G | | 2,282 | 1,500 | 6670706 |
| WR 38322253 G | | 2,570 | 1,250 | 6670722 |

Expansion bays

1 pre-assembled frame, 6 longitudinal beams, 6 shelves, anchor bolt and top caps.

| Item | Usable depth (mm) | Clear bay width (mm) | Max. load per bay (kg) | Order no. |
|---------------|-------------------|----------------------|------------------------|-----------|
| WR 34322203 A | 400 | 1,994 | 1,600 | 6670735 |
| WR 34322233 A | | 2,282 | 1,500 | 6670751 |
| WR 34322253 A | | 2,570 | 1,250 | 6670836 |
| WR 35322203 A | 500 | 1,994 | 1,600 | 6670736 |
| WR 35322233 A | | 2,282 | 1,500 | 6670752 |
| WR 35322253 A | | 2,570 | 1,250 | 6670837 |
| WR 36322203 A | 600 | 1,994 | 1,600 | 6670737 |
| WR 36322233 A | | 2,282 | 1,500 | 6670753 |
| WR 36322253 A | | 2,570 | 1,250 | 6670838 |
| WR 38322203 A | 800 | 1,994 | 1,600 | 6670738 |
| WR 38322233 A | | 2,282 | 1,500 | 6670754 |
| WR 38322253 A | | 2,570 | 1,250 | 6670839 |

Additional compartment levels

2 longitudinal beams, 2 shelves.

| Item | Usable depth (mm) | Clear bay width (mm) | Max. load per comp. (kg) | Order no. |
|------------|-------------------|----------------------|--------------------------|-----------|
| WR-ZE 3420 | 400 | 1,994 | 400 | 6670798 |
| WR-ZE 3423 | | 2,282 | 400 | 6670802 |
| WR-ZE 3425 | | 2,570 | 400 | 6670806 |
| WR-ZE 3520 | 500 | 1,994 | 400 | 6670799 |
| WR-ZE 3523 | | 2,282 | 400 | 6670803 |
| WR-ZE 3525 | | 2,570 | 400 | 6670807 |
| WR-ZE 3620 | 600 | 1,994 | 400 | 6670800 |
| WR-ZE 3623 | | 2,282 | 400 | 6670804 |
| WR-ZE 3625 | | 2,570 | 400 | 6670808 |
| WR-ZE 3820 | 800 | 1,994 | 400 | 6670801 |
| WR-ZE 3823 | | 2,282 | 400 | 6670805 |
| WR-ZE 3825 | | 2,570 | 400 | 6670809 |

Order no. = on stock

WR 3000 individual racking



Complete WR 3000 rack bays with 4 compartment levels 2,490 mm high (Starter bays)

2 pre-assembled frames, 8 longitudinal beams, 8 shelves, anchor bolt, top caps and identification plate.

| Item | Usable depth (mm) | Clear bay width (mm) | Max. load per bay (kg) | Order no. |
|---------------|-------------------|----------------------|------------------------|-----------|
| WR 34325204 G | 400 | 1,994 | 1,600 | 6670691 |
| WR 34325234 G | | 2,282 | 1,500 | 6670707 |
| WR 34325254 G | | 2,570 | 1,250 | 6670723 |
| WR 35325204 G | 500 | 1,994 | 1,600 | 6670692 |
| WR 35325234 G | | 2,282 | 1,500 | 6670708 |
| WR 35325254 G | | 2,570 | 1,250 | 6670724 |
| WR 36325204 G | 600 | 1,994 | 1,600 | 6670693 |
| WR 36325234 G | | 2,282 | 1,500 | 6670709 |
| WR 36325254 G | | 2,570 | 1,250 | 6670725 |
| WR 38325204 G | 800 | 1,994 | 1,600 | 6670694 |
| WR 38325234 G | | 2,282 | 1,500 | 6670710 |
| WR 38325254 G | | 2,570 | 1,250 | 6670726 |

Expansion bays

1 pre-assembled frame, 8 longitudinal beams, 8 shelves, anchor bolt and top caps.

| Item | Usable depth (mm) | Clear bay width (mm) | Max. load per bay (kg) | Order no. |
|---------------|-------------------|----------------------|------------------------|-----------|
| WR 34325204 A | 400 | 1,994 | 1,600 | 6670739 |
| WR 34325234 A | | 2,282 | 1,500 | 6670824 |
| WR 34325254 A | | 2,570 | 1,250 | 6670840 |
| WR 35325204 A | 500 | 1,994 | 1,600 | 6670740 |
| WR 35325234 A | | 2,282 | 1,500 | 6670825 |
| WR 35325254 A | | 2,570 | 1,250 | 6670841 |
| WR 36325204 A | 600 | 1,994 | 1,600 | 6670741 |
| WR 36325234 A | | 2,282 | 1,500 | 6670826 |
| WR 36325254 A | | 2,570 | 1,250 | 6670842 |
| WR 38325204 A | 800 | 1,994 | 1,600 | 6670742 |
| WR 38325234 A | | 2,282 | 1,500 | 6670827 |
| WR 38325254 A | | 2,570 | 1,250 | 6670843 |

Additional compartment levels

2 longitudinal beams, 2 shelves.

| Item | Usable depth (mm) | Clear bay width (mm) | Max. load per comp. (kg) | Order no. |
|------------|-------------------|----------------------|--------------------------|-----------|
| WR-ZE 3420 | 400 | 1,994 | 400 | 6670798 |
| WR-ZE 3423 | | 2,282 | 400 | 6670802 |
| WR-ZE 3425 | | 2,570 | 400 | 6670806 |
| WR-ZE 3520 | 500 | 1,994 | 400 | 6670799 |
| WR-ZE 3523 | | 2,282 | 400 | 6670803 |
| WR-ZE 3525 | | 2,570 | 400 | 6670807 |
| WR-ZE 3620 | 600 | 1,994 | 400 | 6670800 |
| WR-ZE 3623 | | 2,282 | 400 | 6670804 |
| WR-ZE 3625 | | 2,570 | 400 | 6670808 |
| WR-ZE 3820 | 800 | 1,994 | 400 | 6670801 |
| WR-ZE 3823 | | 2,282 | 400 | 6670805 |
| WR-ZE 3825 | | 2,570 | 400 | 6670809 |



Complete WR 3000 rack bays with 5 compartment levels 2,967 mm high (Starter bays)

2 pre-assembled frames, 10 longitudinal beams, 10 shelves, anchor bolt, top caps and identification plate.

| Item | Usable depth (mm) | Clear bay width (mm) | Max. load per bay (kg) | Order no. |
|---------------|-------------------|----------------------|------------------------|-----------|
| WR 34530205 G | 400 | 1,994 | 2,000 | 6670695 |
| WR 34530235 G | | 2,282 | 2,000 | 6670711 |
| WR 34530255 G | | 2,570 | 1,800 | 6670727 |
| WR 35530205 G | 500 | 1,994 | 2,000 | 6670696 |
| WR 35530235 G | | 2,282 | 2,000 | 6670712 |
| WR 35530255 G | | 2,570 | 1,800 | 6670728 |
| WR 36530205 G | 600 | 1,994 | 2,000 | 6670697 |
| WR 36530235 G | | 2,282 | 2,000 | 6670713 |
| WR 36530255 G | | 2,570 | 1,800 | 6670729 |
| WR 38530205 G | 800 | 1,994 | 2,000 | 6670698 |
| WR 38530235 G | | 2,282 | 2,000 | 6670714 |
| WR 38530255 G | | 2,570 | 1,800 | 6670730 |

Expansion bays

1 pre-assembled frame, 10 longitudinal beams, 10 shelves, anchor bolt and top caps.

| Item | Usable depth (mm) | Clear bay width (mm) | Max. load per bay (kg) | Order no. |
|---------------|-------------------|----------------------|------------------------|-----------|
| WR 34530205 A | 400 | 1,994 | 2,000 | 6670743 |
| WR 34530235 A | | 2,282 | 2,000 | 6670828 |
| WR 34530255 A | | 2,570 | 1,800 | 6670844 |
| WR 35530205 A | 500 | 1,994 | 2,000 | 6670744 |
| WR 35530235 A | | 2,282 | 2,000 | 6670829 |
| WR 35530255 A | | 2,570 | 1,800 | 6670845 |
| WR 36530205 A | 600 | 1,994 | 2,000 | 6670745 |
| WR 36530235 A | | 2,282 | 2,000 | 6670830 |
| WR 36530255 A | | 2,570 | 1,800 | 6670846 |
| WR 38530205 A | 800 | 1,994 | 2,000 | 6670746 |
| WR 38530235 A | | 2,282 | 2,000 | 6670831 |
| WR 38530255 A | | 2,570 | 1,800 | 6670847 |

Additional compartment levels

2 longitudinal beams, 2 shelves.

| Item | Usable depth (mm) | Clear bay width (mm) | Max. load per comp. (kg) | Order no. |
|------------|-------------------|----------------------|--------------------------|-----------|
| WR-ZE 3420 | 400 | 1,994 | 400 | 6670798 |
| WR-ZE 3423 | | 2,282 | 400 | 6670802 |
| WR-ZE 3425 | | 2,570 | 400 | 6670806 |
| WR-ZE 3520 | 500 | 1,994 | 400 | 6670799 |
| WR-ZE 3523 | | 2,282 | 400 | 6670803 |
| WR-ZE 3525 | | 2,570 | 400 | 6670807 |
| WR-ZE 3620 | 600 | 1,994 | 400 | 6670800 |
| WR-ZE 3623 | | 2,282 | 400 | 6670804 |
| WR-ZE 3625 | | 2,570 | 400 | 6670808 |
| WR-ZE 3820 | 800 | 1,994 | 400 | 6670801 |
| WR-ZE 3823 | | 2,282 | 400 | 6670805 |
| WR-ZE 3825 | | 2,570 | 400 | 6670809 |

Modular shelving

Longspan racking

Pallet racking

Cantilever racking

On-line shelving/ KDR shelving

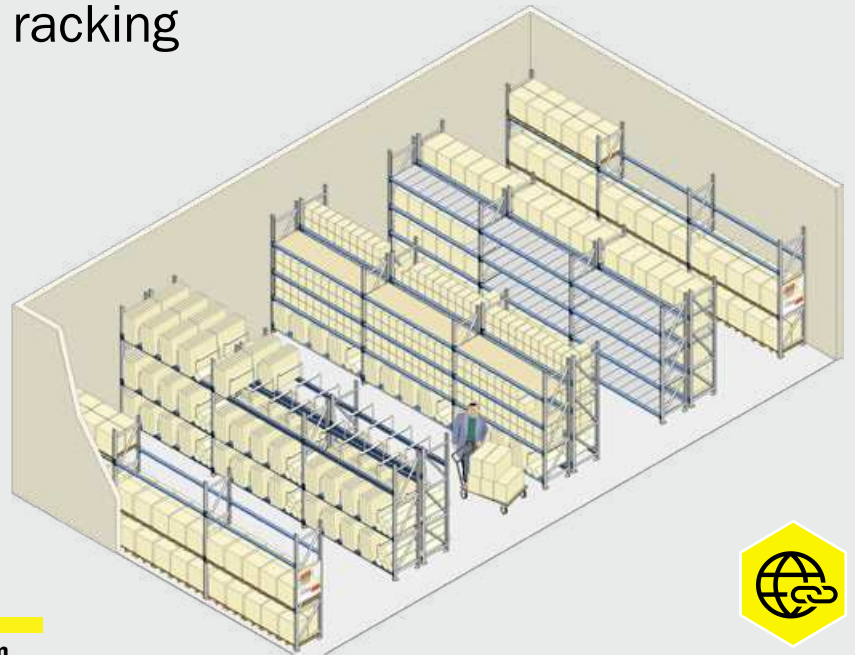
Customer Service & Support

WR 600 – the perfect longspan racking

The flexible WR 600 longspan racking system with 50 : 50 mm system hole pattern handles all storage material location and warehousing tasks.

The frame construction with supporting profiles with three heights and four depths, three different beam types with four lengths allows you to freely configure the rack bays.

Standardized components allow a multi-tier installation. This also enables the construction of platforms.



i **Changed frame depth in 2021**
for **WR 600** from 1,050 mm to **1,100 mm**

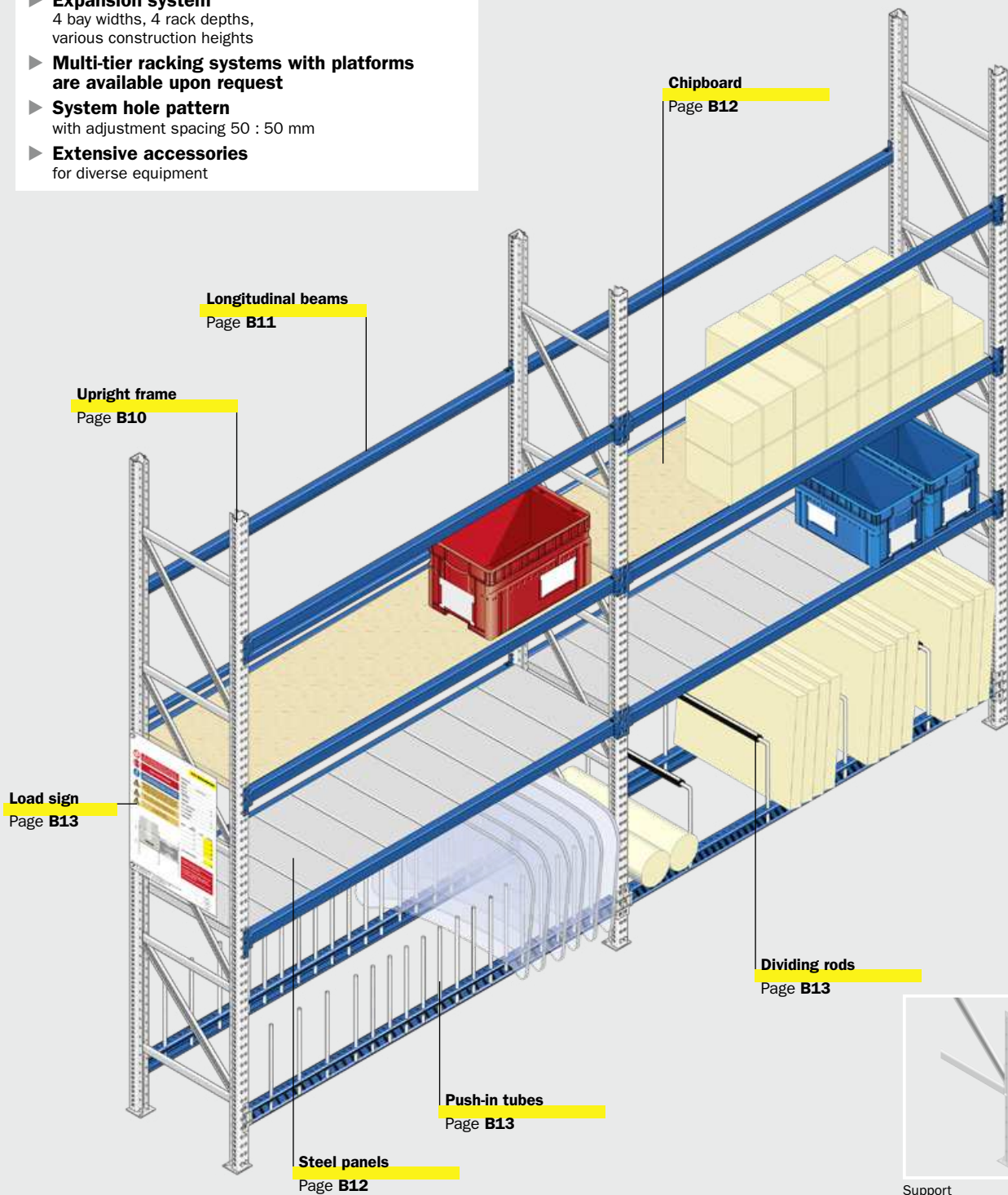


GALVANIZED DUST GRAY GENTIAN BLUE



- ▶ **High load capacity**
of up to 3,500 kg per frame
- ▶ **Large shelf**
for large-volume goods, consisting of a rack frame with bolted horizontal and diagonal braces as well as 3 different types of beams
- ▶ **Expansion system**
4 bay widths, 4 rack depths, various construction heights
- ▶ **Multi-tier racking systems with platforms are available upon request**
- ▶ **System hole pattern**
with adjustment spacing 50 : 50 mm
- ▶ **Extensive accessories**
for diverse equipment

WR 600 system design



Load sign



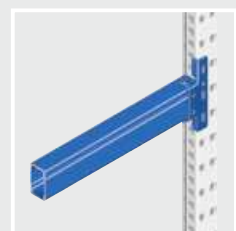
Steel panels, inserted



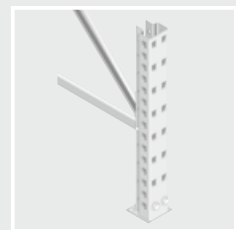
Chipboard, inserted



Dividing rods



Longitudinal beam



Support

Modular shelving

Longspan racking

Pallet racking

Cantilever racking

On-line shelving / KDR shelving

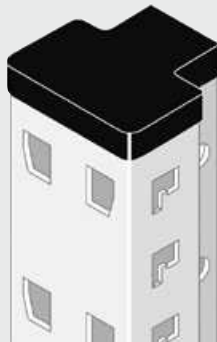
Customer Service & Support

WR 600 upright frame and accessories



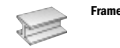
End caps

High-quality black plastic. Attached to the rack frames as an end piece.



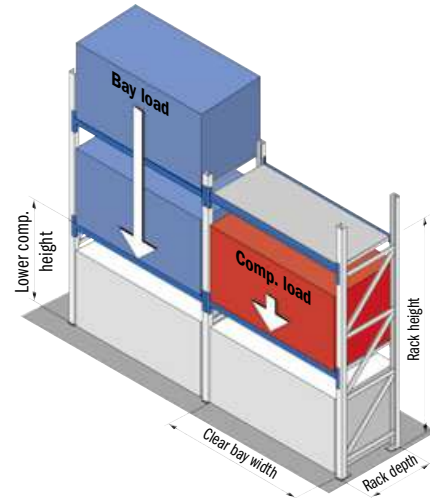
| Item | Order no. |
|---------|-----------|
| K-AKP 1 | 472650 |

GALVANIZED



► Load capacity of the frame

The permissible load bearing capacity of the frame depends on the compartment height and the planned beam profile. The specified values apply for racks with at least 2 pairs of longitudinal beams per rack bay and rack rows with at least 5 rack bays.

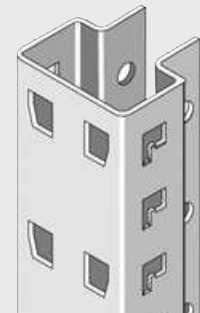


| Compartment height | Frame load capacity |
|--------------------|---------------------|
| 500 mm | 3,500 kg |
| 750 mm | 3,000 kg |
| 1,000 mm | 2,700 kg |
| 1,250 mm | 2,300 kg |
| 1,500 mm | 1,800 kg |

Upright frame

The upright profiles are made from cold rolled, high-strength, galvanized steel bolted together with horizontal and diagonal struts to create a stable frame.

Delivered unassembled.



Frame height 2,200 mm

| Item | Frame depth (mm) | Order no. |
|----------|------------------|-----------|
| R 61225 | 500 | 464500 |
| R 61226 | 600 | 464530 |
| R 61228 | 800 | 464560 |
| R 612211 | 1,100 | 8007261 |

Frame height 2,500 mm

| Item | Frame depth (mm) | Order no. |
|----------|------------------|-----------|
| R 61255 | 500 | 464510 |
| R 61256 | 600 | 464540 |
| R 61258 | 800 | 464570 |
| R 612511 | 1,100 | 8007262 |

Frame height 3,000 mm

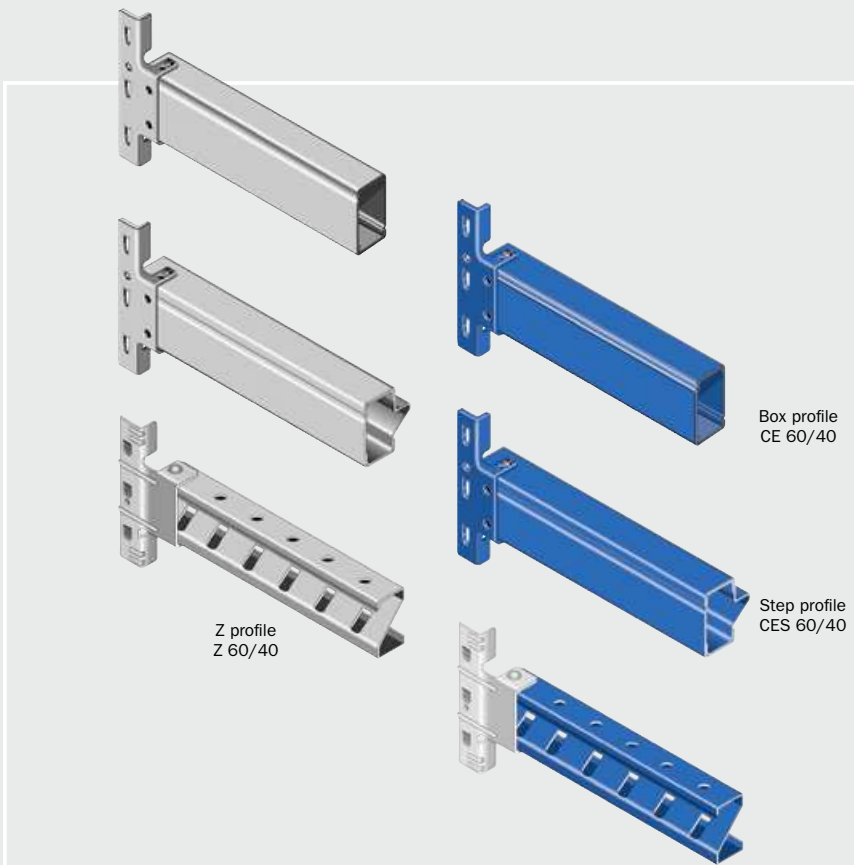
| Item | Frame depth (mm) | Order no. |
|----------|------------------|-----------|
| R 61305 | 500 | 464520 |
| R 61306 | 600 | 464550 |
| R 61308 | 800 | 464580 |
| R 613011 | 1,100 | 8007263 |

Order no. = on stock



i Compatible with PR 600 pallet racking
Chapter C, from page C4

Longitudinal beams and accessories WR 600

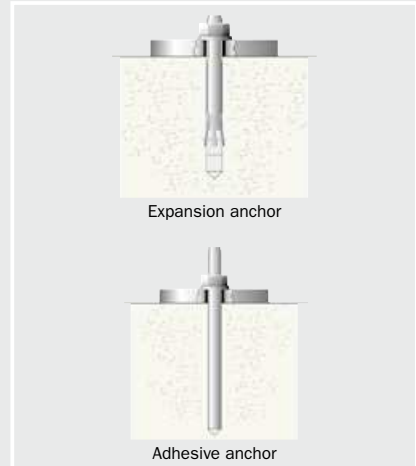


Longitudinal beams

3-hook rear lips, guarantee an interlocking connection with the rack supports. Two retaining pins (included) per section are required to prevent unintentional removal.

Surface galvanized or painted (Gentian Blue, RAL 5010).

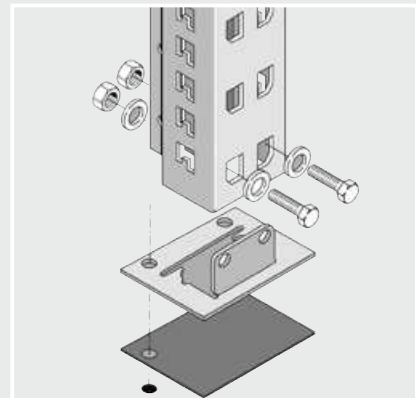
| Item | Beam length (mm) | Load capacity per pair (kg) | PU | Order no. |
|---|------------------|-----------------------------|----|-----------|
| Longitudinal beam box profile CE 60/40 | | | | |
| TR4-150-064-25CE | 1,500 | 600 | 1 | 151760 – |
| TR4-180-064-25CE | 1,800 | 600 | 1 | 151770 – |
| TR4-220-064-30CE | 2,200 | 600 | 1 | 151820 – |
| TR4-270-064-30CE | 2,700 | 600 | 1 | 151830 – |
| TR4-150-064-25CEL | 1,500 | 600 | 1 | – 151761 |
| TR4-180-064-25CEL | 1,800 | 600 | 1 | – 151771 |
| TR4-220-064-30CEL | 2,200 | 600 | 1 | – 151821 |
| TR4-270-064-30CEL | 2,700 | 600 | 1 | – 151831 |
| Longitudinal beam step profile CES 60/40 | | | | |
| TR4-150-064-25S | 1,500 | 600 | 1 | 151840 – |
| TR4-180-064-25S | 1,800 | 600 | 1 | 151850 – |
| TR4-220-064-30S | 2,200 | 600 | 1 | 151900 – |
| TR4-270-064-30S | 2,700 | 600 | 1 | 151910 – |
| TR4-150-064-25SL | 1,500 | 600 | 1 | – 151841 |
| TR4-180-064-25SL | 1,800 | 600 | 1 | – 151851 |
| TR4-220-064-30SL | 2,200 | 600 | 1 | – 151901 |
| TR4-270-064-30SL | 2,700 | 600 | 1 | – 151911 |
| Longitudinal beam Z profile Z 60/40 | | | | |
| TR 1506 Z-V | 1,500 | 450 | 1 | 124730 – |
| TR 1806 Z-V | 1,800 | 400 | 1 | 124740 – |
| TR 2206 Z-V | 2,200 | 350 | 1 | 124750 – |
| TR 2706 Z-V | 2,700 | 200 | 1 | 124760 – |
| TR 1506 Z-G | 1,500 | 450 | 1 | – 129440 |
| TR 1806 Z-G | 1,800 | 400 | 1 | – 129450 |
| TR 2206 Z-G | 2,200 | 350 | 1 | – 129460 |
| TR 2706 Z-G | 2,700 | 200 | 1 | – 129470 |



Floor anchors

The frame needs to be anchored in order to ensure the stability of the longspan racking. M10 expansion anchors are used for a normal C20/25 concrete floor; M10 adhesive anchors are used for floors containing magnesium.

| Item | | Order no. |
|----------|-----------------------|-----------|
| BA 10 SL | Expansion anchor M 10 | 67030 |
| BA 10 VA | Adhesive anchor M 10 | 67390 |



Base shims

To compensate for uneven ground, galvanized.

| Item | Thickness (mm) | Order no. |
|----------|----------------|-----------|
| AP 60.51 | 1 | 143500 |
| AP 60.52 | 2 | 143510 |

Insulation plates

When installing racks on floors containing magnesium, plastic insulation plates are required for every rack support to prevent corrosion.

| Item | Thickness (mm) | Order no. |
|----------|----------------|-----------|
| IP 60.51 | 1 | 155250 |

Modular shelving

Longspan racking

Pallet racking

Cantilever racking

On-line shelving/ KDR shelving

Customer Service & Support



Compartment covers and panels WR 600

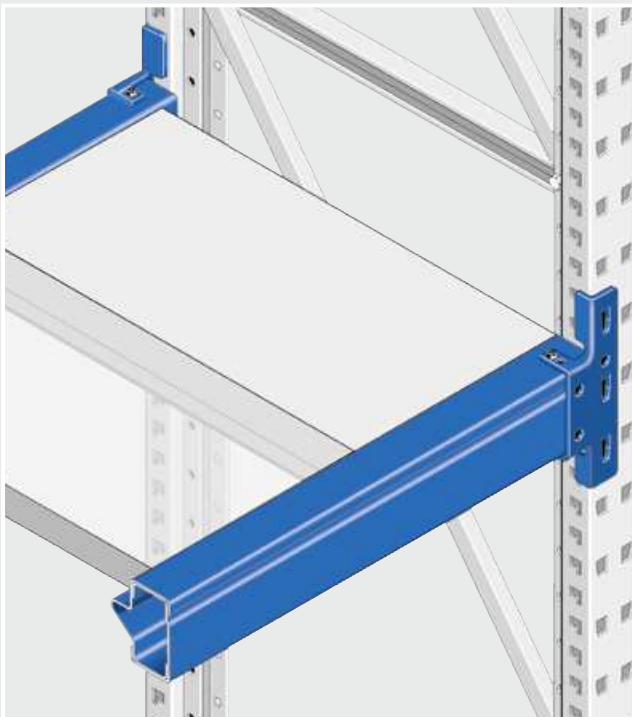


Chipboard panels for longitudinal beams with step profile

Bin covers made of chipboard are inserted between the longitudinal beams. Quality: 22 mm, normal density.

The specified loads apply for uniformly distributed loads.

| Item | Frame depth (mm) | Beam length (mm) | Compartment load (kg) | Order no. |
|------------------|------------------|------------------|-----------------------|-----------|
| FSS 15-050-22-NA | 500 | 1,500 | 560 | 329600 |
| FSS 18-050-22-NA | | 1,800 | 600 | 329640 |
| FSS 22-050-22-NA | | 2,200 | 600 | 329680 |
| FSS 27-050-22-NA | | 2,700 | 600 | 329720 |
| FSS 15-060-22-NA | 600 | 1,500 | 370 | 329610 |
| FSS 18-060-22-NA | | 1,800 | 440 | 329650 |
| FSS 22-060-22-NA | | 2,200 | 540 | 329690 |
| FSS 27-060-22-NA | | 2,700 | 600 | 329730 |
| FSS 15-080-22-NA | 800 | 1,500 | 190 | 329620 |
| FSS 18-080-22-NA | | 1,800 | 230 | 329660 |
| FSS 22-080-22-NA | | 2,200 | 280 | 329700 |
| FSS 27-080-22-NA | | 2,700 | 350 | 329740 |
| FSS 15-110-22-NA | 1,100 | 1,500 | 100 | 6689309 |
| FSS 18-110-22-NA | | 1,800 | 130 | 6689310 |
| FSS 22-110-22-NA | | 2,200 | 150 | 6689311 |
| FSS 27-110-22-NA | | 2,700 | 190 | 6689312 |



Steel panels for longitudinal beams with step profile

Steel panels made of sendzimir galvanized sheet steel, 200 or 300 mm wide, can be inserted into the longitudinal beams with a step profile.

The capacity per panel is 150 kg uniformly distributed load.

Complete panel sets – for 200 mm and 300 mm panels

| Item | Frame depth (mm) | Beam length (mm) | Order no. |
|-----------|------------------|------------------|-----------|
| FPS-15050 | 500 | 1,500 | 109701 |
| FPS-18050 | | 1,800 | 109711 |
| FPS-22050 | | 2,200 | 109721 |
| FPS-27050 | | 2,700 | 109731 |
| FPS-15060 | 600 | 1,500 | 109741 |
| FPS-18060 | | 1,800 | 109751 |
| FPS-22060 | | 2,200 | 109761 |
| FPS-27060 | | 2,700 | 109771 |
| FPS-15080 | 800 | 1,500 | 109781 |
| FPS-18080 | | 1,800 | 109791 |
| FPS-22080 | | 2,200 | 109801 |
| FPS-27080 | | 2,700 | 109811 |

Single steel panels – panel width 200 mm

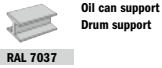
| Item | Frame depth (mm) | Order no. |
|-------------------|------------------|-----------|
| FPS 20-050-22-20A | 500 | 329760 |
| FPS 20-060-22-20A | 600 | 329780 |
| FPS 20-080-22-30A | 800 | 329800 |
| FPS 20-110-22-30A | 1,100 | 8007258 |

Single steel panels – panel width 300 mm

| Item | Frame depth (mm) | Order no. |
|-------------------|------------------|-----------|
| FPS 30-050-22-20A | 500 | 329770 |
| FPS 30-060-22-20A | 600 | 329790 |
| FPS 30-080-22-30A | 800 | 329810 |
| FPS 30-110-22-30A | 1,100 | 8007259 |

Order no. = on stock

DUST GRAY



Oil can support
Drum support
RAL 7037

GALVANIZED



Compartment divider
Dividing rods
Push-in tubes

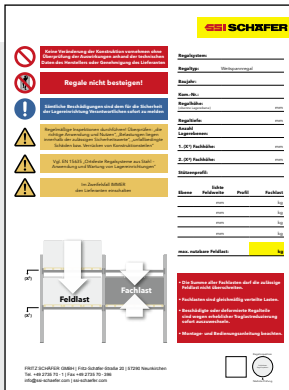
GENTIAN BLUE



Spacers
RAL 5010

Mandatory labeling

The regulations of the trade associations demand labeling of rack facilities with all the necessary load specifications

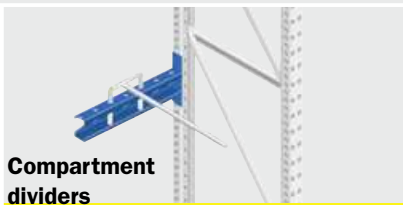


Load signs

| Item | Width (mm) | Height (mm) | Order no. |
|--|------------|-------------|-----------------|
| Made of aluminum, incl. fixing kit | | | |
| LSTS 7050 | 450 | 600 | on req.* |
| Made from PVC-adhesive film (not shown) | | | |
| TS 0615 | 60 | 150 | on req.* |

* The technical data is defined via a time sheet. It is offered and invoiced as part of the price of the sign.

Storage labeling and safety accessories from p. C11



Compartment dividers

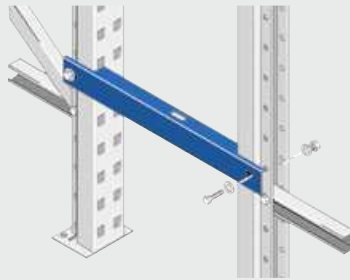
For vert. storage of wooden beams, pipes, etc. Adjustment 50 : 50 mm, galvanized.

| Item | Frame depth (mm) | Length (mm) | Order no. |
|----------------|------------------|-------------|--------------|
| APH 340 | 500 | 340 | 18120 |
| APH 740 | 800 | 740 | 18110 |

Spacers

Two single-row racks position one behind the other connected with spacers to form double-row racks.

Surface finish: Gentian Blue, RAL 5010.

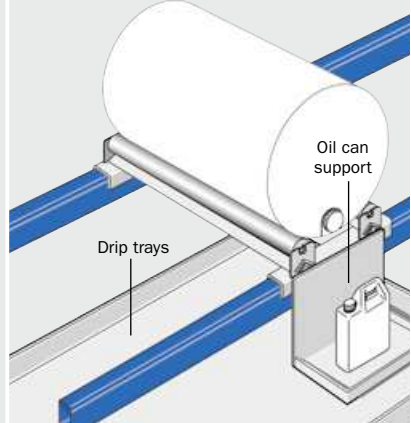


| Item | Distance (mm) | Order no. |
|----------------|---------------|---------------|
| D 50 L | 50 | 151060 |
| D 100 L | 100 | 151070 |
| D 150 L | 150 | 151080 |
| D 200 L | 200 | 151090 |
| D 250 L | 250 | 151100 |
| D 300 L | 300 | 151110 |
| D 350 L | 350 | 151120 |
| D 400 L | 400 | 151130 |
| D 450 L | 450 | 151140 |
| D 500 L | 500 | 151150 |

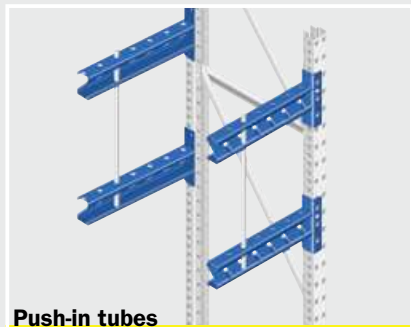
Oil can support

Can be inserted into the front of drum supports, with support surface. Dimensions: 300 x 350 mm.

Surface finish: Dust gray, RAL 7037.



| Item | Order no. |
|--------------|---------------|
| KT 30 | 116570 |



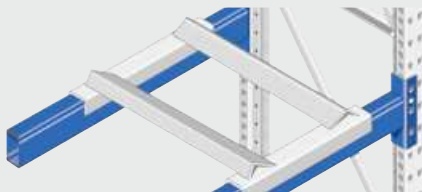
Push-in tubes

For dividing compartments of Z beams. Adjustment 50 : 50 mm, galvanized.

| Item | Tube length (mm) | Order no. |
|-----------------|------------------|---------------|
| KRA 4170 | 170 | 159440 |
| KRA 4300 | 300 | 159450 |
| KRA 4950 | 950 | 159460 |
| KRA 4105 | 1,050 | 159470 |

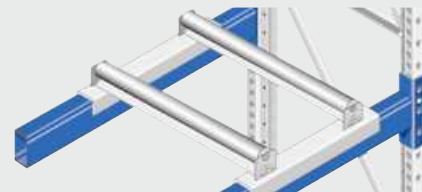
Drum supports

Welded frame made of angled profiles. For rotary drum supports with two ball bearing-mounted, galvanized steel rollers. For fitting on longitudinal beams. Surface finish: Dust gray, RAL 7037. Load capacity 210 kg.



Stationary

| Item | Frame depth (mm) | Order no. |
|----------------|------------------|----------------|
| FAS 80 | 800 | 116900 |
| FAS 110 | 1,100 | 6690602 |



Rotatable

| Item | Frame depth (mm) | Order no. |
|----------------|------------------|----------------|
| FAD 80 | 800 | 116910 |
| FAD 110 | 1,100 | 6690599 |

Modular shelving

Longspan racking

Pallet racking

Cantilever racking

On-line shelving / KDR shelving

Customer Service & Support