

A-FRAME

Economic, customer-oriented system solution

Speed and quality for your order make-up.

The SSI Schaefer picking systems provide for fully automatic and reliable compilation of complex orders in next to no time. Extremely fast, high-quality order processing even at peak times guarantees maximum productivity and optimum material flow in your warehouse.

The advantage of A-Frames is that replenishment and picking are separate. A-Frames are replenished during low load periods and carry out picking fully automatically during peak load periods. This also means that the personnel can be optimally allocated to warehouse activities.

Our system types can be combined and are available for all common product groups and all sorts of goods. The automatic picking systems are perfectly coordinated with conveying systems and other components we produce. With the help of precise data analysis we determine the picking system to ideally suit your requirements as well as the optimization potential in your warehouse.

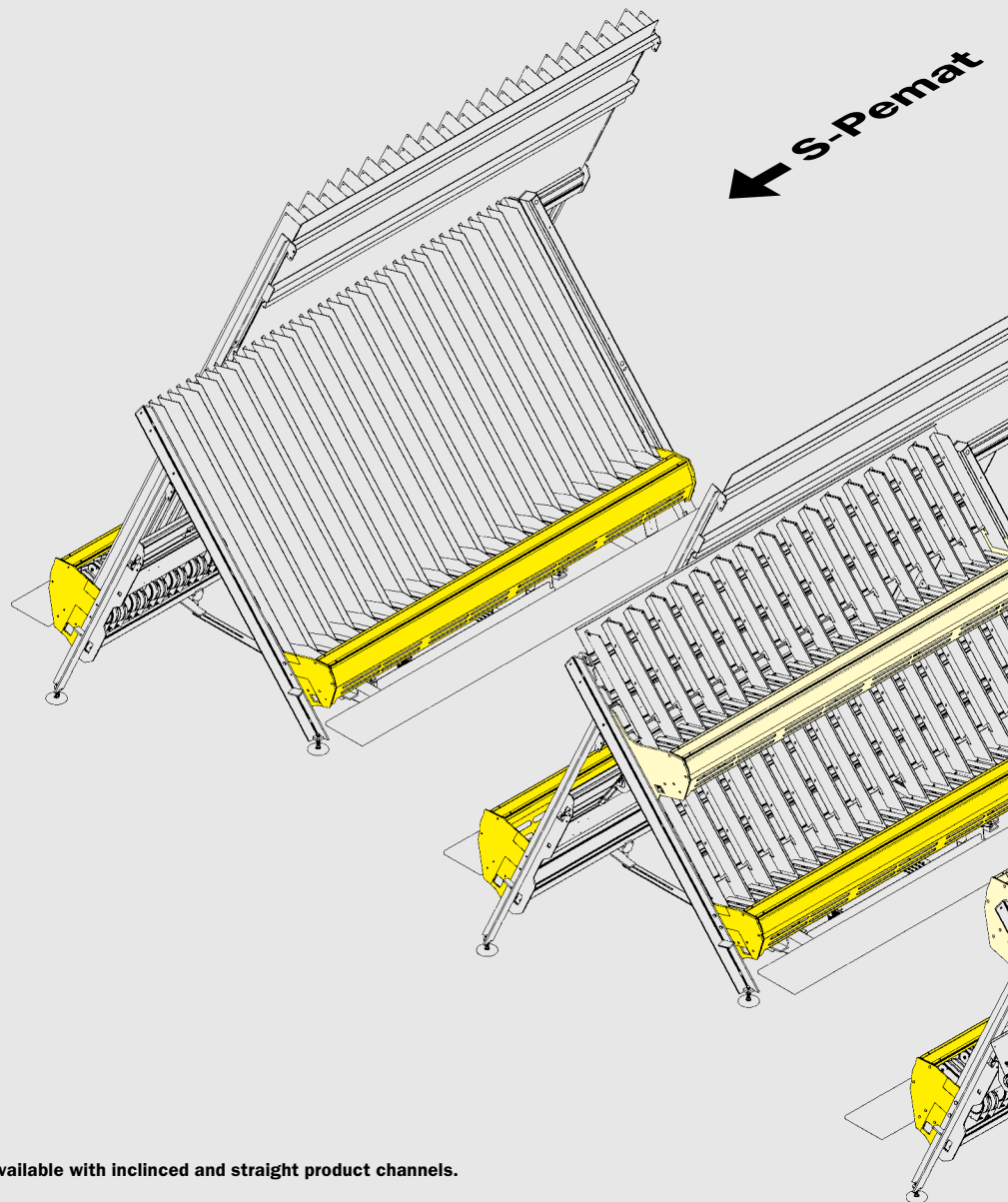
Advantages

- ▶ High productivity at peak times
- ▶ High profitability thanks to elimination of time-consuming manual picking activities
- ▶ Constant high quality and reliability even at top peak times
- ▶ Efficient space utilization thanks to high storage density
- ▶ Flexibly adjustable product channels enable simple maintenance
- ▶ Easy integration into existing systems
- ▶ Great expansion potential thanks to modular design
- ▶ Optimal allocation of personnel due to replenishment during low load periods and fully automatic picking during peak load periods



System groups

Highest efficiency and productivity of the ideal system to suit your requirements. We provide individual solutions depending on product type and turnover rate.



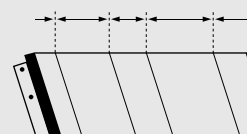
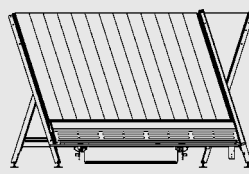
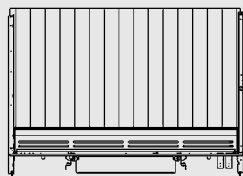
Channels

All Pemat models are available with inclined and straight product channels.

The straight design can offer approximately 10 % more space for channels or products compared to the inclined design.

Due to the inclined design, products lean to just one side of the channels. That way, better alignment, easier replenishment and higher quality can be guaranteed.

Product channel widths are variably adjustable from 55 to 120 mm.



For fast-moving products

50 to 350 items/articles/day

S-Pemat:

- Straight and inclined product channels on one level
- For a high number of A+ movers

C-Pemat:

- Combination of the S- and Multi-Pemat
- One side S-Pemat and the other side Multi-Pemat

For medium-moving products

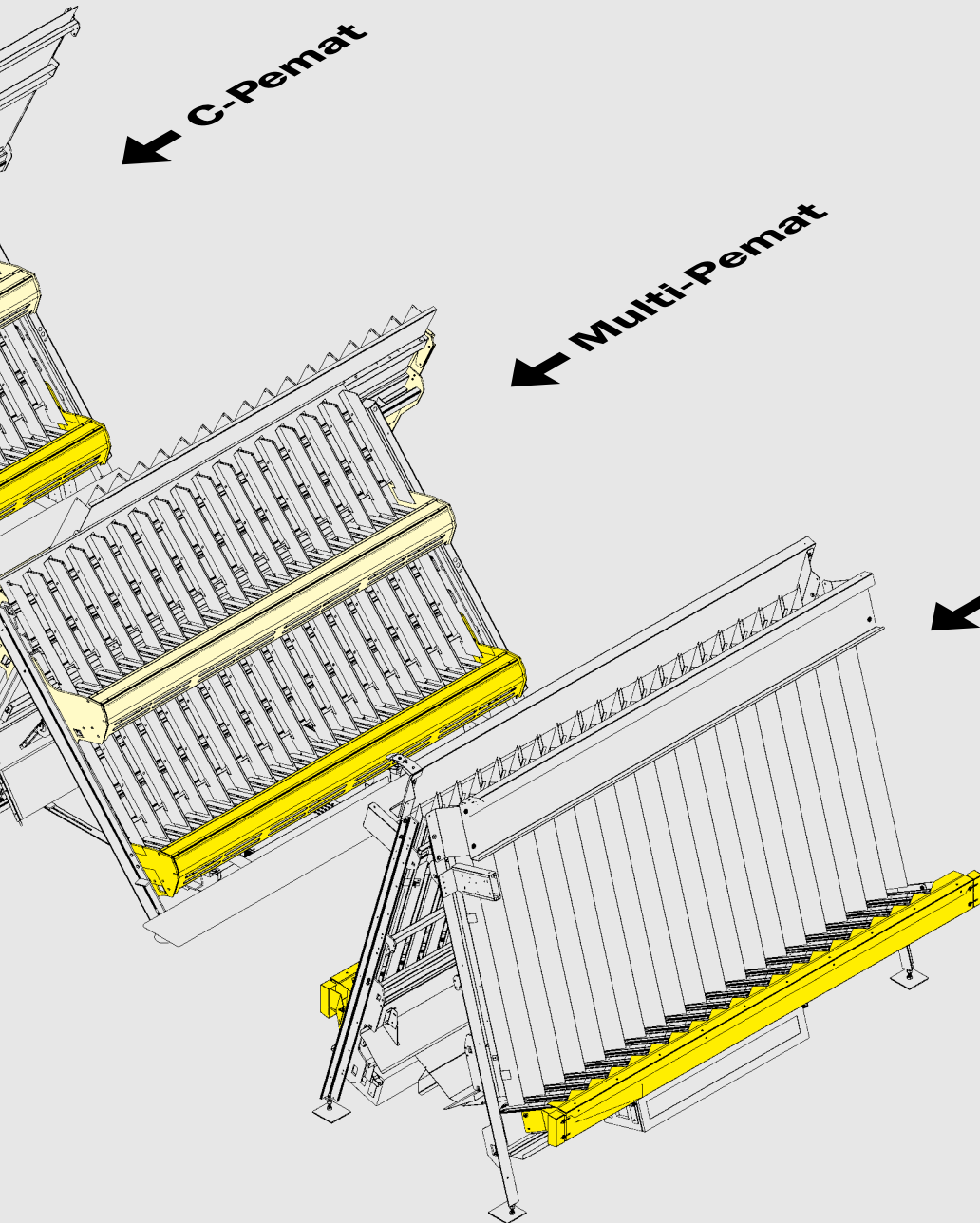
5 to 50 items/articles/day

Multi-Pemat:

- Straight and inclined product channels on two levels on each module side
- For heavier products and/or reduced throughput
- For a high variation of products

SZ-Pemat:

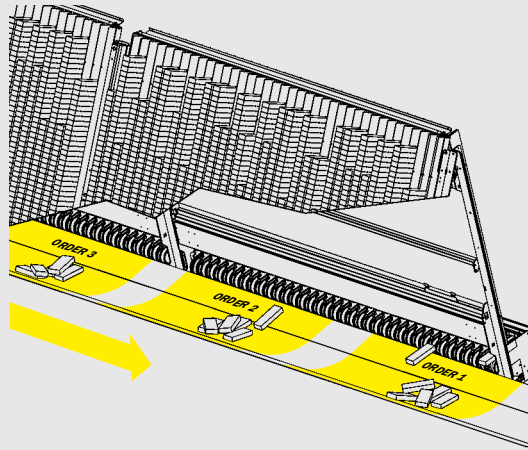
- Designed for cigarette cartons with one level on each module side
- Maximum of 19 channels
- All channels can be addressed simultaneously



■ Ejector - first level
■ Ejector - second level

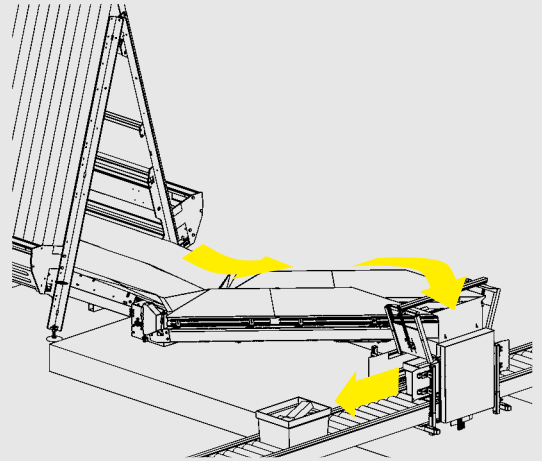
Collecting belt

Each order is assigned to a section of the collecting belt. When this section passes the product channel, the ordered number of products is dispensed onto the belt.



Filling point

At the filling point, the products of an order collected on the belt are dropped into the assigned order tote in a fully automatic and time-controlled process.



▲ Filling point ► Collecting belt
▼ S-Pemat channels with one ejector per channel





◀ S-Pemat channels

▼ Pemat replenishment



Technical key data

Automat type	Number of levels	Channel length in mm	Ejection speed pcs/sec	Medium number of products/channel	Medium number of channels per m ²	Medium number of products per m ²
S-Pemat	1+1	1.720+1.720 (2.500)*	4	64	19	1.216
C-Pemat	1+2	1.720 (2.500)* + 2x800	4	47	28	1.176
Multi-Pemat	2+2	2x800+2x800	4	31	38	1.178
SZ-Pemat	1+1	1.460+1.460	3	30	9	270

* optional



SSI SCHAEFER

 qualityaustria
SYSTEMZERTIFIZIERT
ISO 9001:2000 NR. 03603AC
OHSAS 18001:1999 NR. 001693C

 **UL** **us**
LISTED
FACTORY AUTHORIZED EQUIPMENT



www.ssi-schaefer.com

Nr. 150615en © SSI Schaefer Graz. Printed in Austria.
We assume no responsibility for printing errors.